

# CVMW2010-IR

2 Megapixel WDR fixed lens vandal-proof network dome camera

**VANDERBILT**

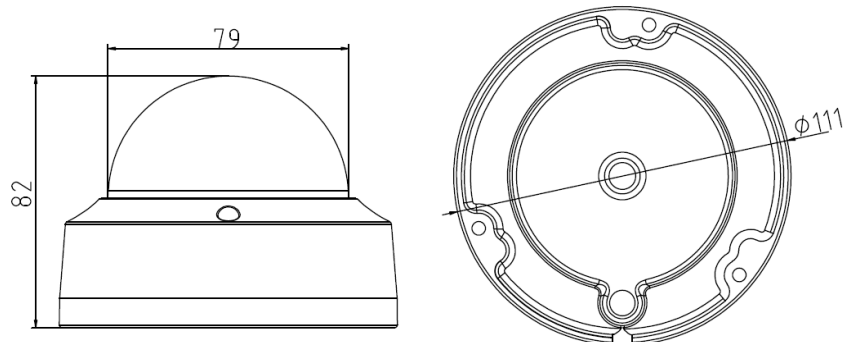


The Eventys range offers variants of up to H.264+ IP compression efficiency and optimised codec technology, alongside two network video recorders (NVRs). With a simple set up procedure, these products offer outstanding functionality and flexibility, and are perfect for small to medium sized installations.

The Eventys CVMW2010-IR IP WDR dome camera features 2MP resolution with a fixed lens. Powering and connecting the dome camera is a simple and straightforward exercise thanks to the use of power over Ethernet (PoE). Coupled with automatic IP address allocation, auto-device detection and connection (from Eventys NVRs), Eventys IP cameras truly are plug and play. Robust, reliable and suitable for a wide variety of applications, the cameras are built into an IP67 rated weatherproof enclosure, while advanced CMOS progressive scanning allows the camera to obtain values from each pixel in the sensor and scans to produce a complete picture.

## Key features include:

- Up to 2 megapixel high resolution
- Full HD1080p video
- Dual video streams
- 2.8mm fixed lens
- WDR 120 dB
- 3D Digital Noise Reduction
- 3-axis adjustment
- DC12V & PoE
- Support H.264+
- Up to 30m IR range
- IP67 weather-proof protection
- IK10
- Support intrusion detection and line crossing detection
- VCA features are supported



### Technical data

<b>Model</b>	<b>CVMW2010-IR</b>
<b>Camera</b>	
Image Sensor	1/2.8" Progressive Scan CMOS
Min. Illumination	0.028 Lux @ (F2.0, AGC ON) ,0 Lux with IR ON
Shutter Speed	1/3 s to 1/100,000 s
Lens	2.8mm, @ F2.0
Lens Mount	M12
Day & Night	IR cut filter with auto switch
DNR	3D DNR
Wide Dynamic Range	120dB
P&T rotation	Pan: 0° ~ 355°, Tilt: 0° ~ 75°, Rotation: 0° ~ 355°
<b>Compression Standard</b>	
Video Compression	H.264 / MJPEG / H.264+
H.264 Type	Main Profile
Video Bit Rate	32 Kbps ~ 16 Mbps
Dual streams	Support
<b>Image</b>	
Max. Resolution	1920 × 1080

Frame Rate	50Hz: 25fps (1920 × 1080), 25fps (1280 × 960), 25fps (1280 × 720) 60Hz: 30fps (1920 × 1080), 30fps (1280 × 960), 30fps (1280 × 720)
Image Setting	Rotate Mode, Saturation, Brightness, Contrast, Sharpness adjustable by client software or web browser
BLC	Support, zone configurable
ROI Codec	Support
<b>Network</b>	
Network Storage	NAS (Support NFS, SMB/CIFS)
Alarm Trigger	Intrusion detection, Line crossing detection, Motion detection, Dynamic analysis, Tampering alarm, Network disconnect, IP address conflict, Storage exception
Protocols	TCP/IP, UDP, ICMP, HTTP, HTTPS, FTP, DHCP, DNS, DDNS, RTP, RTSP, RTCP, PPPoE, NTP, UPnP, SMTP, SNMP, IGMP, 802.1X, QoS, IPv6, Bonjour
Security	One-key reset, Flicker-less, dual stream, heartbeat, mirror, password protection, privacy mask, watermark, IP address filtering, Anonymous access
Standard	ONVIF Profile S
<b>Interface</b>	
Communication Interface	1 RJ45 10M/100M Ethernet port
On-board storage	Built-in Micro SD/SDHC/SDXC slot, up to 128 GB, card not included
<b>General</b>	
Operating Conditions	-30 °C – 60 °C (-22 °F – 140 °F), Humidity 95% or less (non-condensing)
Power Supply	DC12V ± 10%, PoE (802.3af)
Power Consumption	Max. 5W
IR Range	Approx. 30 meters
Ingress Protection	IP67
Impact Protection	IK10
Dimensions	∅ 111 × 82 mm (∅ 4.4" × 3.2")
Weight	500g (1.1lbs)

---

## Details for ordering

---

Type	Part no.	Designation	Weight
CVMW2010-IR	V54561-C136-A100	CVMW2010-IR 2MP Fix dome, IR, Fixed WDR	500g

---